

SHAPING YOUR LIGHT

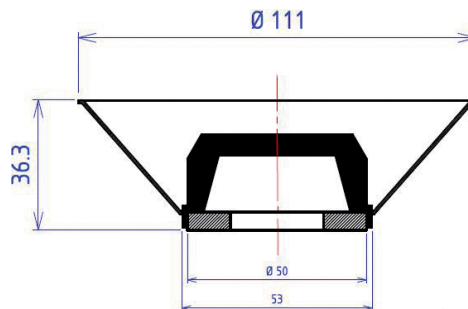
lednlight
by GAGGIONE

LLR07/27M – Twist & Light

111mm Hybrid Reflectors

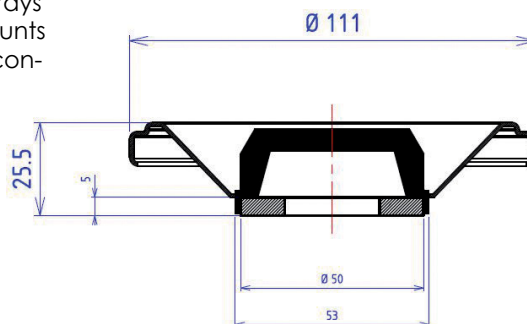
The LLR27M with an 111mm external diameter is based on an aluminum reflector and a central lens that control the rays emitted by the COB. The assembly mounts directly on BJB 50mm diameter series connectors for COBs. The design is optimized for 23mm Chip-On-Board LEDs but can be effectively applied to smaller Light-Emitting-Surface applications using the same BJB 50mm connector family.

Providing a medium beam range from 13° to 19° FWHM and up to 11cd/lm in only 36mm height package, the 111mm version provides an innovative solution for designing downlights and luminaires.



The LLR07M is based on an aluminum reflector and a central lens that control the rays emitted by the COB. The assembly mounts directly on BJB 50mm diameter series connectors for COBs.

The design is optimized for 23mm Chip-On-Board LEDs but can be effectively applied to smaller Light-Emitting-Surface applications using the same BJB 50mm connector family.



With a medium beam range from 17° to 24° FWHM and up to 6 cd/lm in only 25mm height package, the AR111 version provides an innovative solution for easy retrofit markets and good alternative design architecture to existing halogen AR111 and QR111 platforms.

Material: Reflector Aluminum, lens PC

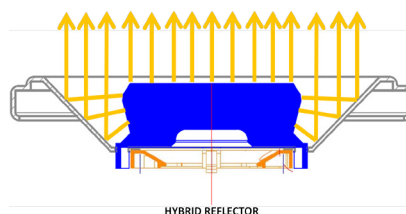
Width: 111mm

Height LLR27M: 36,3mm

Height LLR07M: 25,5mm

Features:

- homogeneous beam
- easy connection



Technical data LLR27M

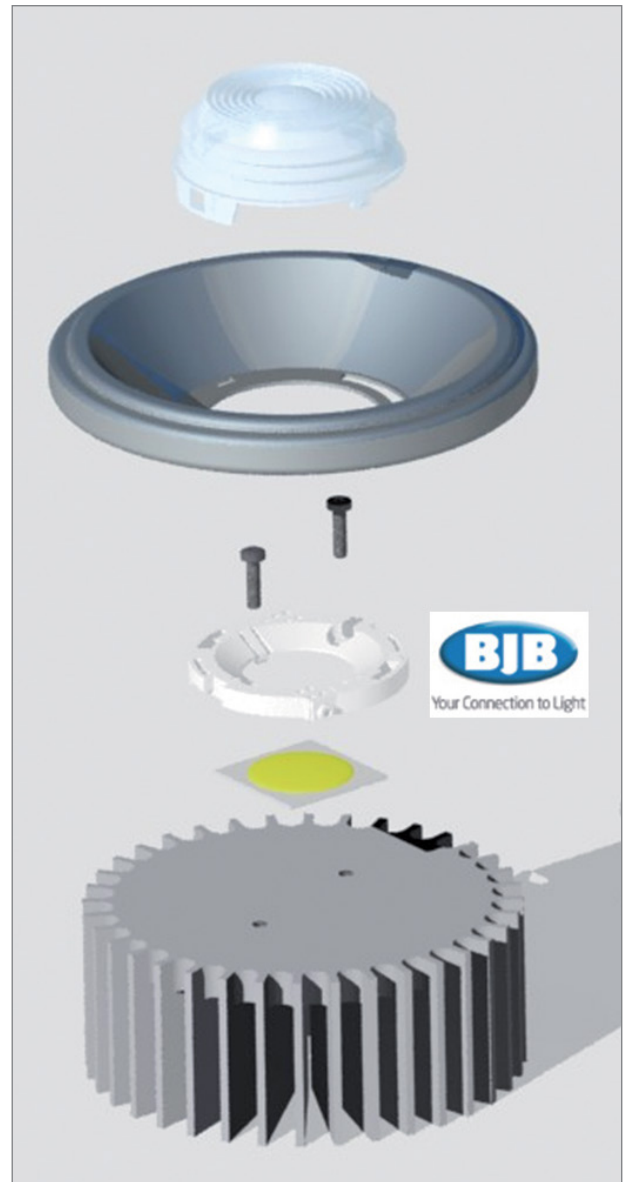
LES Ø	Approximate Beam		
	FWHW 50%	FWTM 10%	Imax. Cd/Lm
23mm	19	39	5
19mm	17	34	7
15mm	16	31	8
13mm	14	29	9
12mm	13	27	11

Technical data LLR07M

LES Ø	Approximate Beam		
	FWHW 50%	FWTM 10%	Imax. Cd/Lm
23mm	24	48	3
19mm	20	41	4,5
15mm	19	38	5
13mm	17	35	6
12mm	17	33	6.5

Compatibility table and BJB cross reference

LED Manufacturer	LED Reference (Model)	BJB Reference
Bridgelux	V15	47.319.222X
CREE	CXA 30xx	47.319.215X
CREE	CXA 25xx	47.319.214X
CREE	CXA 1816 - 1820	47.319.213X
Citizen	CL-U730-1210B8	47.319.203X
Citizen	CL-L04X / CLU04X	47.319.203X
Citizen	CL-L03X / CLU03X	47.319.202X
Osram	Soleriq S19	47.319.217X
Osram	Soleriq E30	47.319.209X
Seoul	ZC12 - ZC18	47.319.202X
Seoul	ZC25 - ZC40	47.319.203X
LG Innotec	MCP10/13/17/24W	47.319.208X
Sharp	Mega Zenigata	47.319.201X
Sharp	Tiger Zenigata	47.319.205X
Lextar	Nimbus 2000/3000/5000	47.319.203X
Lumileds	Luxeon 1204 - 1205	47.319.201X
Lumileds	Luxeon 1208	47.319.201X
Lumileds	Luxeon 1211	47.319.203X
Sunpu	G7	47.319.203X
Sunpu	G17	47.319.202X
Tridonic	SLE G4/15	47.319.202X



Please note that the reflectors are compatible with the whole Ø50mm BJB connector range and check BJB website www.bjb.com for updated information.

For additional information please refer to www.lednlight.com or contact your local Sales Manager.

The information contained in this document and/or attachment/s may be confidential and/or legally privileged. It has been sent for the sole use of the intended recipient(s). As recipient of this information, please treat this information to professional standards accordingly. If the reader of this message is not an intended recipient, you are hereby notified that any unauthorized review, use, disclose, dissemination, distribution, or copying of this communication, or any of its contents, is strictly prohibited. If you have received this communication in error, please contact the sender by replying email and destroy all copies of the original message.