

SHAPING YOUR LIGHT

lednlight
by GAGGIONE

LLX08S – Snap & Light

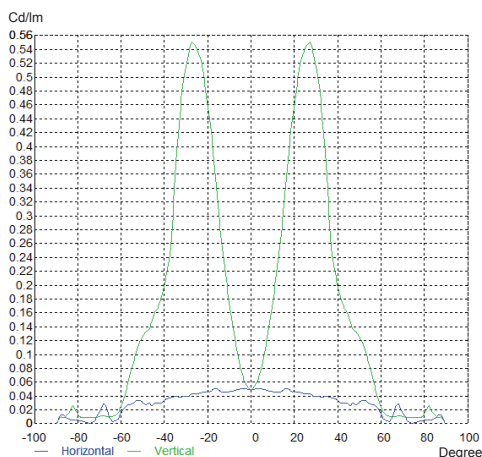
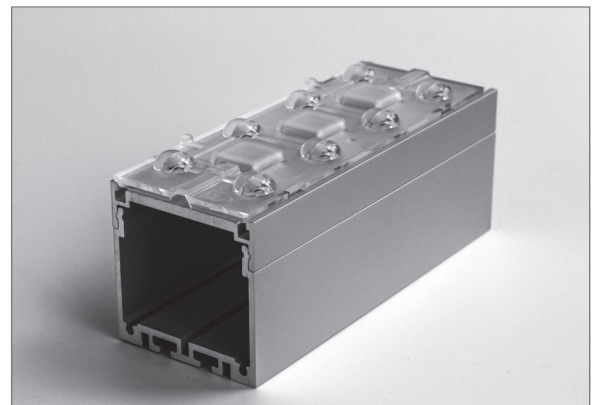
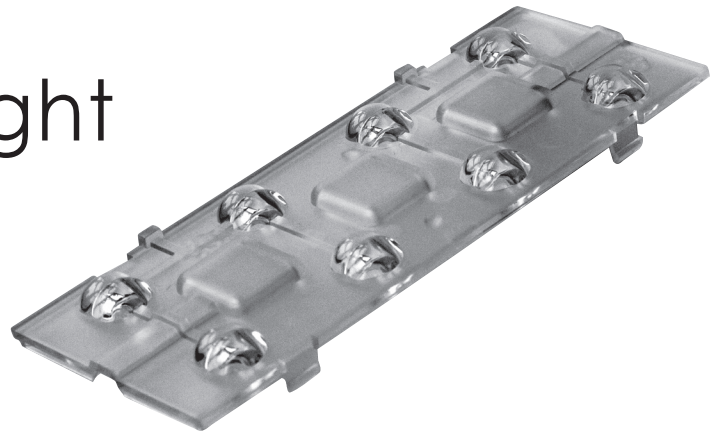
Batwing Cluster Optic for 8 LEDs

Designed for fast and easy integration with most common mid power LEDs as well as flat top power LEDs series, Gaggione presents its new standard cluster optic, the LLX08S with double asymmetric light distribution and smart snap-on functionality for shop and retail lighting applications.

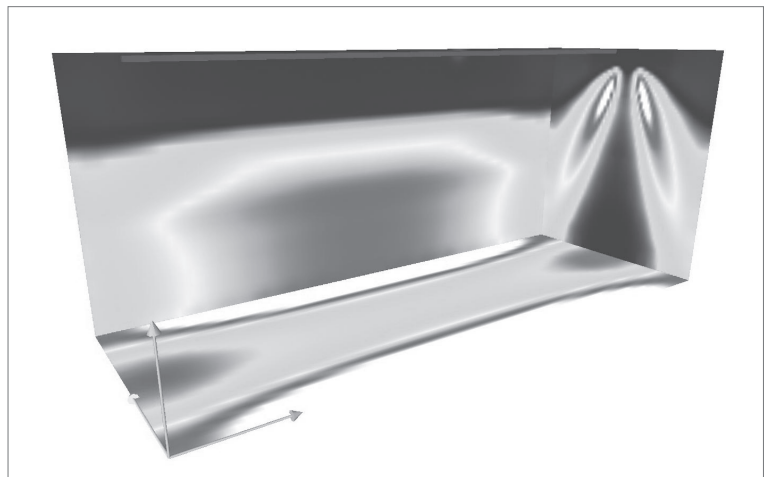
Our cluster has been designed to anticipate any thermal expansion of the different part's materials (cluster, PCB, aluminum profile). Because of different thermal expansion coefficients, we calculated the optimized dimensions and shapes of the cluster to avoid any bending or breakage issues. The cluster, thanks to its snap function will plaster the PCB between the cluster itself and the aluminum profile so that thermal conflicts are avoided and the thermal dissipation is ensured.

In addition to its snapping and locating functions, the cluster integrates rooms to allow the loop-in of electric terminals without interfering with the optical design. This is a great solution to reduce your development time.

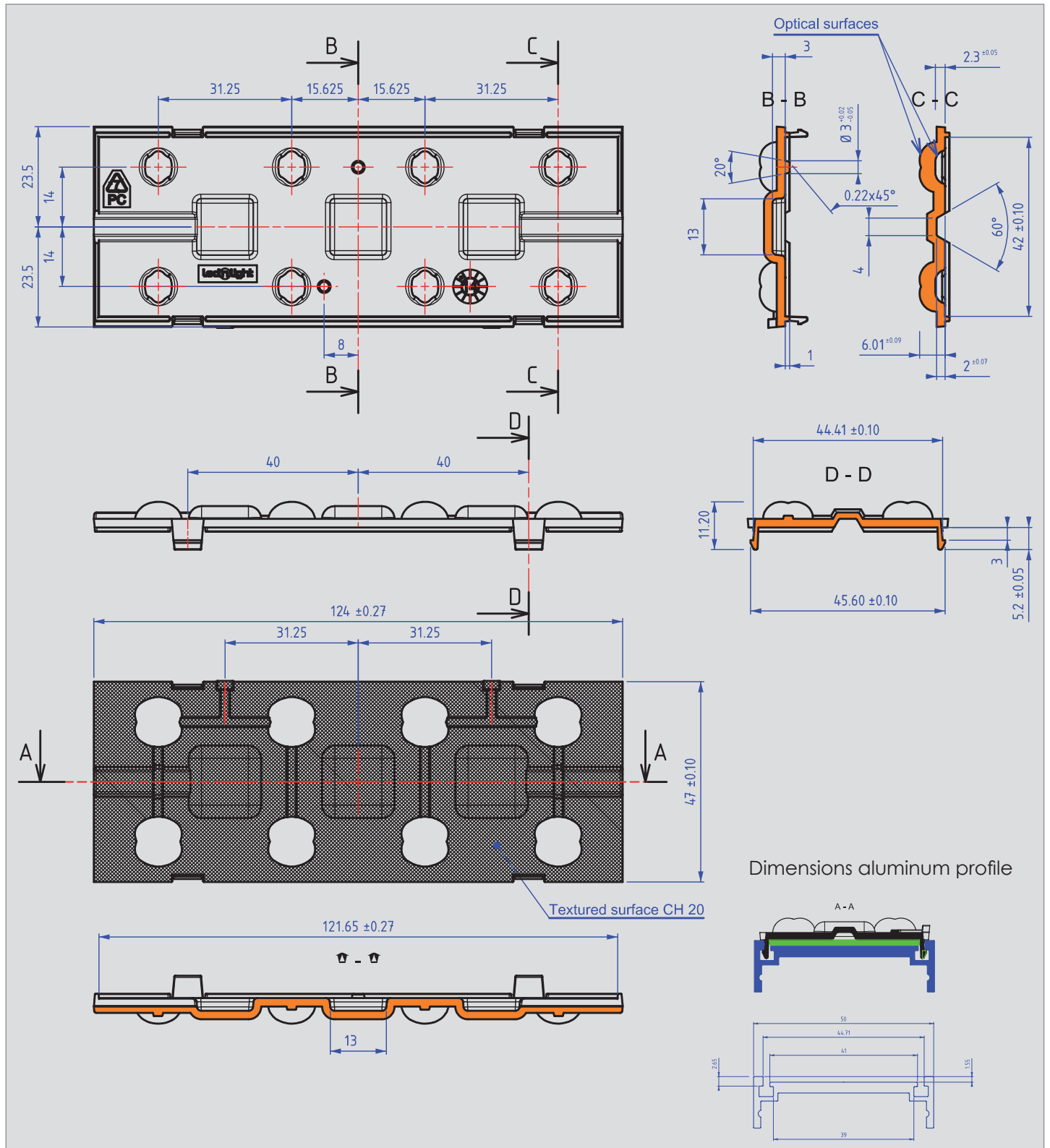
- Material: PC
Width: 47mm
Length: 124mm
Height: 11mm, including snap-on-functionality
Mid power LED: Package up to 5630
High power LED: Up to 2mm² LES with flat top
- Features
- Easy to integrate, just Snap & Light
 - Controlled beam, 60° batwing type
 - Designed to avoid any thermal conflict of PCB, aluminum profile and cluster
 - Fast time-to-market



Normalized intensity distribution with mid power 3030



LLX08S mechanical details and dimensions



For additional information please refer to www.lednlight.com or contact your local Sales Manager.

The information contained in this document and/or attachment/s may be confidential and/or legally privileged. It has been sent for the sole use of the intended recipient(s). As recipient of this information, please treat this information to professional standards accordingly. If the reader of this message is not an intended recipient, you are hereby notified that any unauthorized review, use, disclose, dissemination, distribution, or copying of this communication, or any of its contents, is strictly prohibited. If you have received this communication in error, please contact the sender by replying email and destroy all copies of the original message.